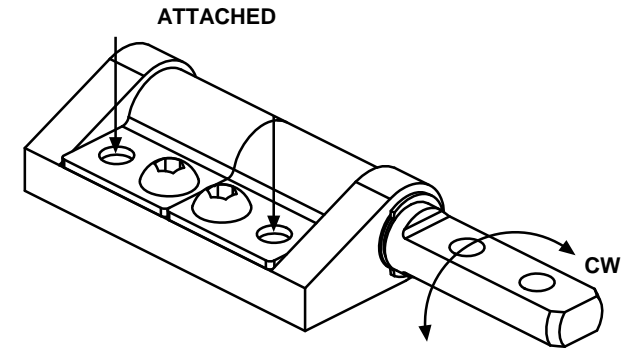
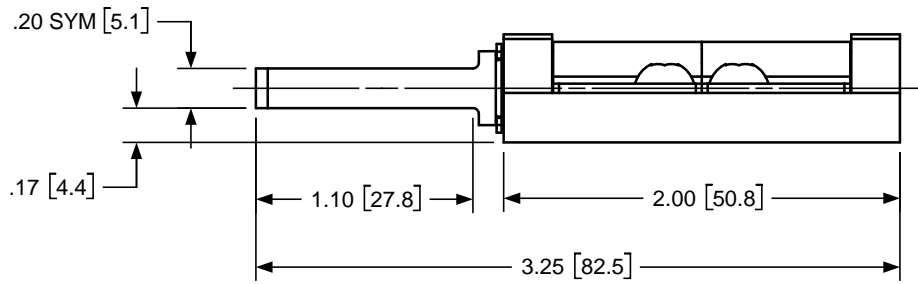


C-401 L



C-401 R

SHINELOT		TITLE					
		INTERFACE DRAWING					
ALL INFORMATION ON THIS PRINT ARE PROPRIETARY TO SHINELOT, AND SHALL NOT BE USED IN WHOLE OR IN PART WITHOUT SHINELOT'S CONSENT.		ENGLISH / METRIC		MATERIAL			
		TOLERANCES		ZINC HOUSING STEEL BAND & SHAFT			
		METRIC	ENGLISH	SIZE	DWG NO	REV	
.X ±.3 MM	.XX ±.015 IN	B	C-401	A			
.XX ±.13 MM	.XXX ±.005 IN	DRAWN BY		DATE			
.XXX ±.005 MM	.XXXX ±.0002 IN	SCALE		SHEET			
USED ON	REV	ANGLE ±1°		3:2			
				1 OF 1			